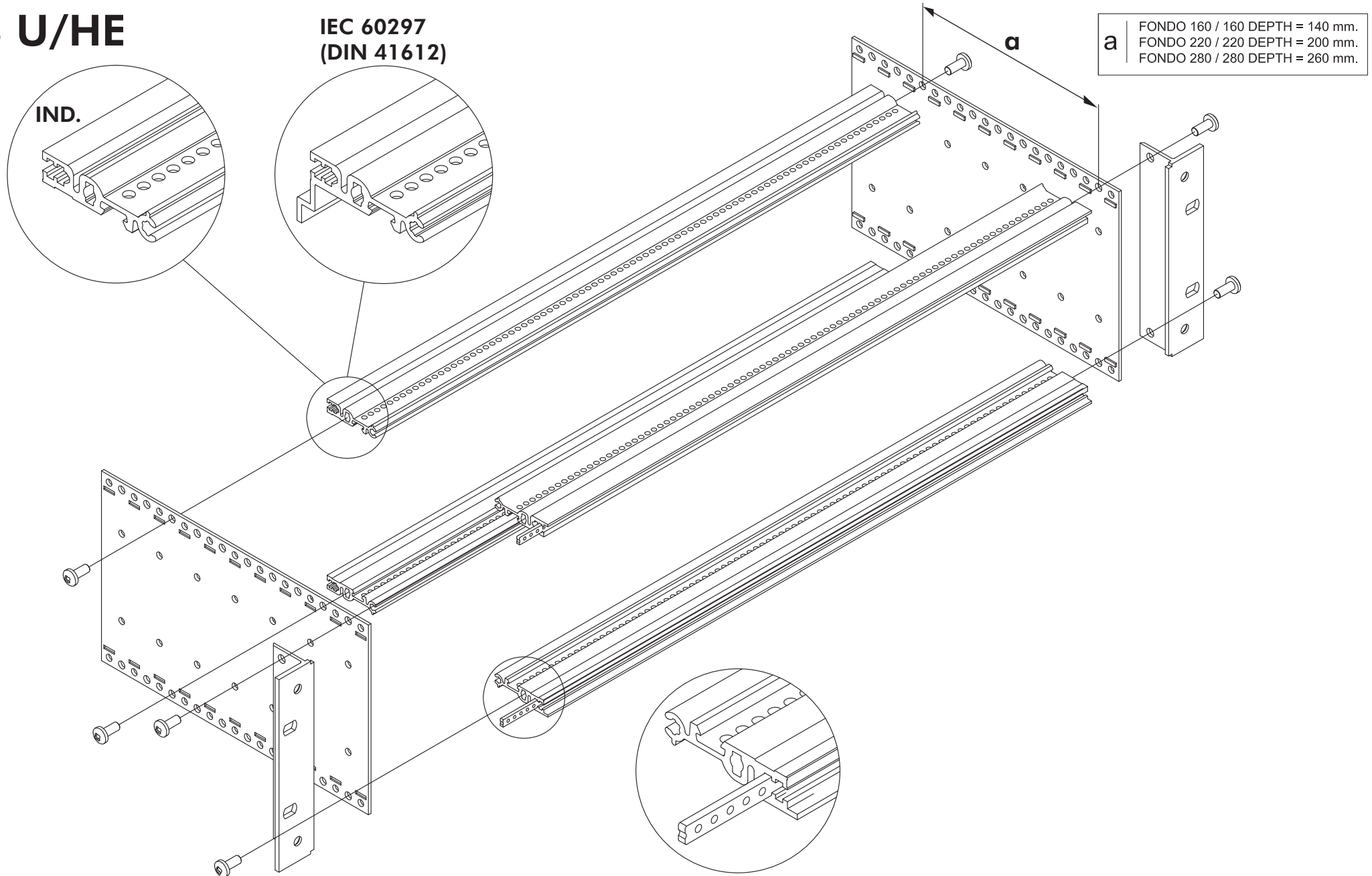


3 U/HE

IEC 60297
(DIN 41612)

IND.

a FONDO 160 / 160 DEPTH = 140 mm.
FONDO 220 / 220 DEPTH = 200 mm.
FONDO 280 / 280 DEPTH = 260 mm.



6 U/HE

