

Korat-1901-DVI



- 19" LCD monitor with LED backlight
- Dual telescopic rail
- DVI and VGA Input
- Depth 607mm only



Korat-1901-DVI is a 19" Dual Rail Monitor-Keybaord-Drawer with LED Backlight. A value keyboard with number block and touchpad, 3 USB connectors on the front side are completing the external design. The casing conforms the 1U Standard, is easily installed and mountable with the included mounting kit. The integrated telescopic dual-rail system ensures the separate pull of keyboard and monitor and by DVI and VGA input this device becomes a true allrounder. A device for professionals.



Properties

- 1U 19" LCD console, 607mm depth
- Stepless, adjustable angle from 0 to 105° over high quality unique torque hinges.
- Easy one man assembly with the included installation angles.
- 3 Front USB 2.0 connectors
- Integrated DVI and VGA Input
- Adjustable depth from 560mm up to 900mm tread depth
- Full metal handle
- Practical knurled screws
- High graphic resolution, up to 1280 x 1024 with 60Hz DDC, DDC2 und DDC2B

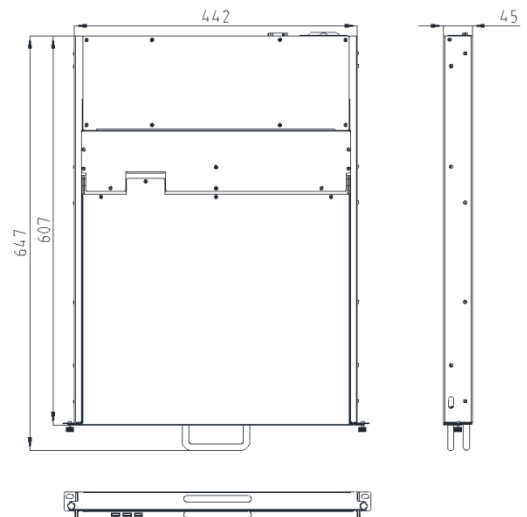
Keyboard versions

Available in following versions: German (DE), US-English (US), French (FR), Spanish (SP), Italian (IT). Swiss / German (CH) and swedish / finnish (SWE/FI)

Versions available on request: UK-English (UK), Turkish (TK), Russian(RU) and Arabian (AR)

Specifications

- DVI-I and VGA Input, USB for Keyboard & Touchpad
- Compatible with most PS/2 KVM-switches and also with USB KVM-switches
- Integrated 3 Port-front USB2.0 device-Hub for shared use of USB2.0 and USB1.1 terminal device (for another Mouse, Scanner, Printer, Cameras, USB-Storage medium, etc.) to all PCs
- Support friendly external power supply
- Telescopic Dual Rails
- Supports all USB suitable operating systems: for example DOS, Windows Series / Win. Server Series, Linux, MacOS, etc.
- Compatible to MAC G3/G4, MACmini and iMAC. It works with Mac OS X 10.4.10 (and other systems)
- Permanent keyboard / mouse emulation for safe function on all computers and operating Systems



Technical data:

Connections	Graphic	1 x VGA and 1 x DVI-I
	Keyboard / Mouse	1 x USB-A (Type A)
	External (Hub)	3 x USB 2,0 (Type A) (frontside) 1 x USB (Type A) (backside)
	Power supply	1 x DC-12V
Connection cable (included in the delivery)	Graphic	1 x DVI-D, 1 x VGA (1,8m)
	Keyboard / Mouse	1 x USB-A to A (1,8 m)
	USB-Hub	1 x USB-A to A (1,8 m)
Switch	LCD settings	5 Pressure switch
	ON / OFF	1 Pressure switch
	OFF (LCD pushed back)	1 covert pressure switch
LED-Display panel	Operation	1 x green/red
	Number	1 x blue
	Capital letters	1 x blue
	Scroll	1 x blue
Emulation	Keyboard/ Mouse	USB & PS/2
	Display	Yes
Graphic	19" LCD	1280 x 1024
	Colors	16,2 Mio.
	Frame Rate	H: 31,0 KHz. – 81,0 KHz. V: 56,0 KHz. – 76,0 KHz.
	Viewing angle	H: 140° / V: 130°
	Bandwith	140 Mhz.
	Brightness	300 cd/m ²
	Contrast	1000 : 1
	Reaktion time	4 ms.
	Pixel pitch	0,294mm (H) x 0,294mm (V)
	Backlight	LED
	Input values	100 V. – 240 V. AC, 48 Hz – 62 Hz
Output values	DC 12V., 4,16A	
Power consumption	230 V / 18,8 Watt	
Certification	RoHS, RoHS2, CE	
Environment	Operating temperature	-10 – 50°C
	Storage temperature	-20 – 60°C
	Humidity	0 – 80% relative humidity (non condensing)
Physical properties	Casing	High performance steel
	Color	RAL 9005
	Weight	17,20 kg incl. angles
	Dimension (L x W x H) without handle	60,70 x 44,20 x 4,50 cm (19" / 1U)
	Dimension (L x W x H) with handle	64,70 x 44,20 x 4,50 cm (19" / 1U)
Packaging	Weight	18,30 kg
	Dimension (L x W x H)	79 x 59 x 22 cm

Korat-1916K5



- 19" LCD Monitor with LED Backlight
- Dual telescopic rail
- 16 Port CAT.5 KVM



Korat-1916K5 is a 19" Monitor-Keybaord-Drawer with LED Backlight. A value keyboard with number block and touchpad and the integrated 16 Port CAT.5 KVM-switch are completing the external design. The casing conforms the 1U Standard, is easily installed and mountable with the included mounting kit. The integrated telescopic dual-rail ensures the separate pull out of keyboard and monitor and makes the device to a perfect combination of workstation and monitoring center. A device for professionals.



Specifications

- Tree-chainable for next level up to 16 KVM-0116PMC switches
- Tree-chaining distance up to 5 meters
- Port capacity is scalable up to 256 PCs by tree-chaining with PMC models
- Computer-Selection by Keyboard-Hotkeys and OSD-Menu
- On-Screen-Display and system notifications as a Pop-Up
- Additional console port (competing)
- With an additional (optional) Receiver PMC-300R and by an 1:1 Cat.x cable connection the control panel can be reflected.
- Supports all USB suitable operating systems: for example DOS, Windows Series / Server 2008 / Server 2013, Linux, MacOS, etc.
- Numeric LED-Status displays for a clear display of the port status
- Buzzer sound confirms the hotkey and port circuit (de-activated)
- AutoScan dwell time of 5 ~ 95 seconds for OSD programmable
- Password protection
- Auto-Logout ,Timeout-Support
- Firmware / Software upgradeable

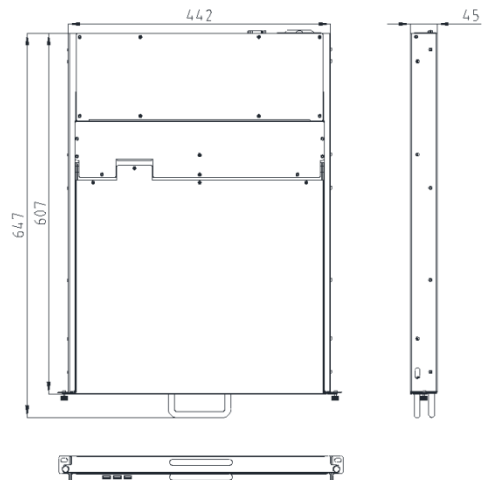
Properties

- 1U 19" LCD console, 607mm depth
- Stepless, adjustable angle from 0 to 105° over high quality unique connecting adapter
- Easy one man assembly with the included installation angles
- Integrated 16 Port CAT.5 KVM-switch
- Adjustable depth from 560mm up to 900mm tread depth
- full metal handle
- Practical knurles screws
- High graphic resolution, up to 1280 x 1024 with 60Hz DDC, DDC2 and DDC2B

Keyboard versions:

Available in following versions: German (DE), US-English (US), French (FR), Spanish (SP), Italian (IT). Swiss / German (CH) and swedish / finnish (SWE/FI)

Versions available on request: UK-English (UK), Turkish (TK), Russian(RU) and Arabian (AR)



Technical data:

Connections KVM	Graphic / Keyboard / Mouse	16 x RJ-45
	Console(remote)	1 x RJ-45 for PMC-300R
	Console (local)	1 x VGA/2 x USB-A
	Firmware	1 x USB-B
	Power supply	1 x DC-12V
	Remote	1 x RJ-45
Connection cable / Dongle (not included in the delivery)	VGA & 2 x PS/2	Dongle-PS/2 V3
	VGA & 1 x USB	Dongle-USB V3
Switch	LCD settings	5 Pressure switch
	ON / OFF	1 Pressure switch
	OFF (LCD pushed back)	1 covert pressure switch
LED-Display panel	Operation	1 x green/red
	Number	1 x blue
	Capital letters	1 x blue
	Scroll	1 x blue
LED-Display KVM	Port/Switch	16 green (Port)
Emulation	Keyboard/ Mouse	USB & PS/2
Port selection	Push buttons / hotkey / OSD	
Graphic	19" LCD	1280 x 1024
	Colors	16,2 Mio.
	Frame Rate	H: 31,0 KHz. – 81,0 KHz. V: 56,0 KHz. – 76,0 KHz.
	Viewing angle	H: 140° / V: 130°
	Bandwith	140 Mhz.
	Brightness	300 cd/m ²
	Contrast	1000 : 1
	Reaktion time	4 ms.
	Pixel pitch	0,294mm (H) x 0,294mm (V)
	Backlight	LED
Input values	100 V. – 240 V. AC, 48 Hz – 62 Hz	
Output values	DC 12V., 4,16A	
Power consumption	230 V / 19,5 Watt / Standby: 11,9 Watt	
Certification	RoHS, RoHS2, CE	
Environment	Operating temperature	-10 – 50°C
	Storage temperature	-20 – 60°C
	Humidity	0 – 80% relative humidity (non condensing)
Physical properties	Casing	High performance steel
	Color	RAL 9005
	Weight	17,4 kg incl. angles
	Dimension (L x W x H) without handle	60,70 x 44,20 x 4,5 cm (19" / 1U)
	Dimension (L x W x H) with handle	64,70 x 44,20 x 4,5 cm (19" / 1U)
Packaging	Weight	19,20 kg
	Dimension (L x W x H)	79 x 59 x 22 cm